

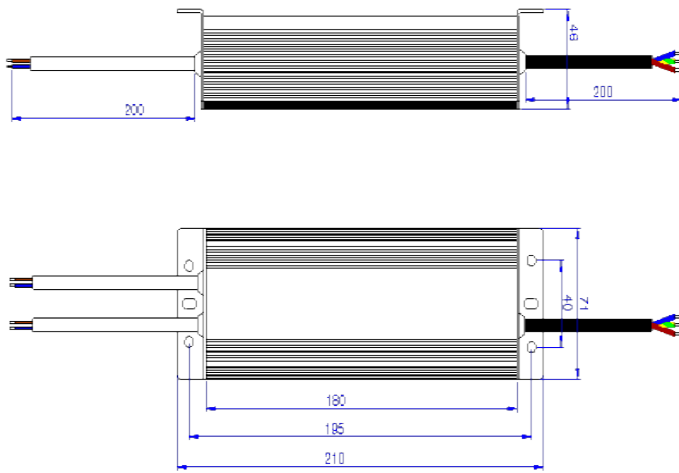
120W IP67 WEATHERPROOF LED DRIVER



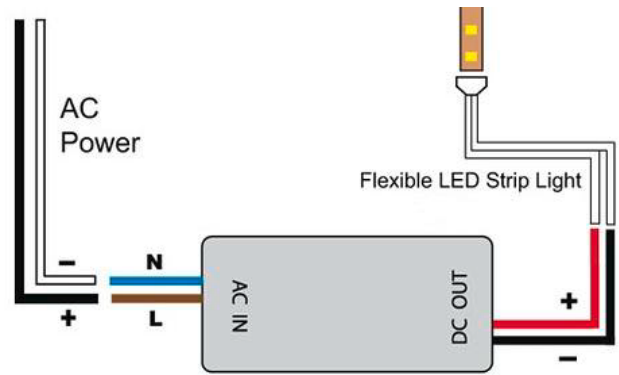
TECHNICAL

Material	Aluminium
Input Voltage	240v AC
Output Voltage	24v DC
Output Power	120w
No. Output Cables	2
Wiring	Parallel
IP Rating	IP67
Dimmable	No
Warranty	2 Years Replacement

DIMENSIONS



SAMPLE INSTALLATION DIAGRAM



*Recommended maximum Load of 96w (80%)

COMPATIBLE WITH



All Low Voltage Light Fittings and LED Strip



IP RATING

APPROVAL



PRODUCT ORDERING

Image	Part Number	OUTPUT VOLTAGE
	TLI-U24PS-120W-WP	24V DC

120W IP67 WEATHERPROOF LED DRIVER

MODEL		TLI-U24PS-120W-WP
OUTPUT	DC VOLTAGE	24V
	RATED CURRENT	5A
	CURRENT RANGE	0~5A
	RATED POWER	120W
	RIPPLE&NOISE(max)	<800mV
	VOLTAGE TOLERANCE	±0.5V
INPUT	VOLTAGE RANGE	170~265VAC
	FREQUENCY RANGE	47~63Hz
	POWER FACTOR(Typ.)	0.6
	EFFICIENCY(Typ.)	84%
	AC CURRENT(Typ.)	1.20A/220VAC
PROTECTION	Short circuit	Protection type:shut down o/p voltage with re-power on to recovery
	Overload	5-7A
ENVIRONMENT	WORKING TEMP.	-30~ +50°C (Refer to output load derating curve)
	INGRESS PROTECTION	IP67 design for indoor or outdoor installations
	STORAGE TEMP	-40~ +80°C
SAFETY&EMC	SAFETY STANDARDS	EN61347-1;EN61347-2-13;SELV;IP67 approved
	WITHSTAND VOLTAGE	I/P-O/P:3.75KVAC I/P-FG:2KVAC O/P-FG:0.5KVAC
	EMC Test Standards	
NOTE	<p>1.All parameters NOT specially mentioned are measured at 220VAC input,rated load and 25°C of ambient temperature.</p> <p>2.Ripple&noise are measured at 20MHz of bandwidth by using a 12" twisted pair-wire terminated with a 0.1uf&47uf parallel capacitor.</p> <p>3.Tolerance:includes set up tolerance,line regulation and load regulation.</p>	

Others

DIMENSION	210×71×46mm(L×W×H)
CARTON QUANTITY	10pcs/carton
CARTON SIZE	350×261×184mm
WEIGHT	1.06Kg/pcs

Derating Curve

